
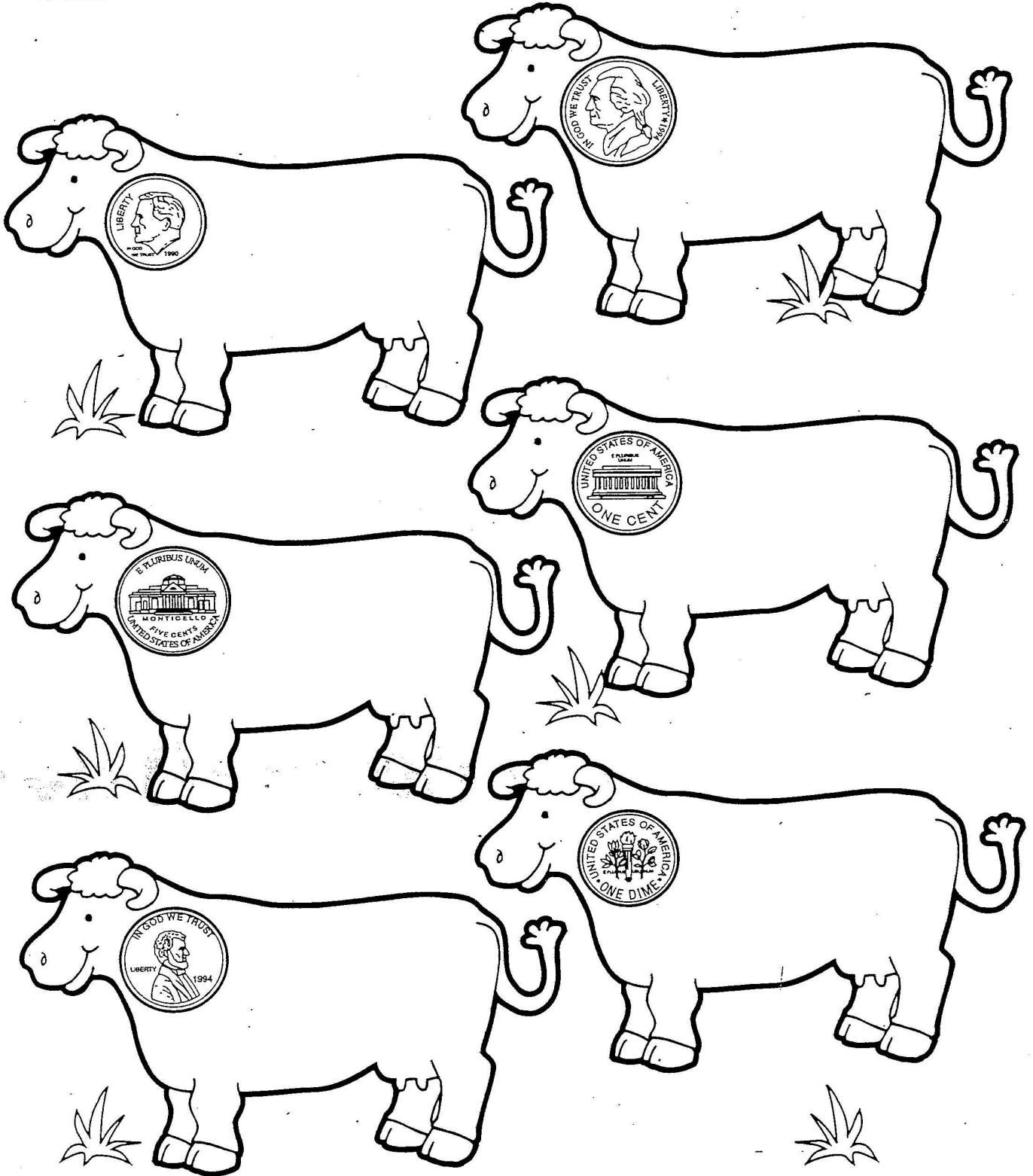


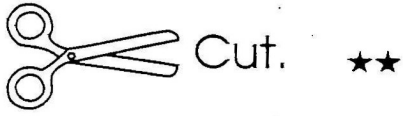
Name _____ Down On The Farm/Money

Spotty Cows

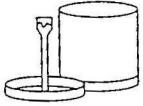
 Draw spots to show the value of each coin. ★★★★★



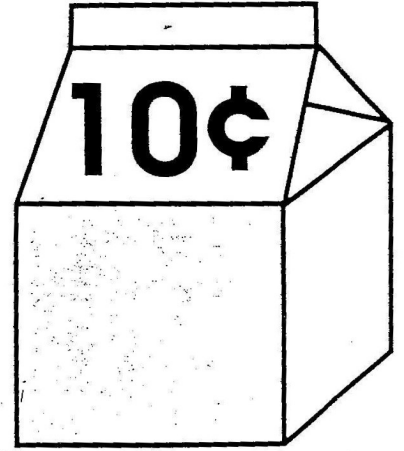
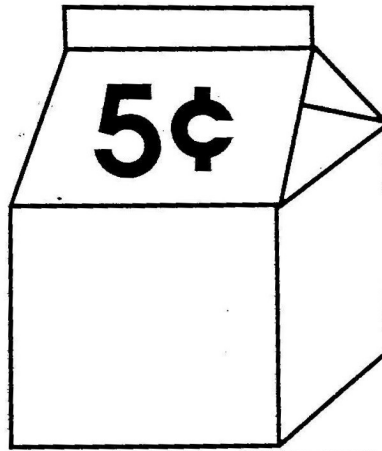
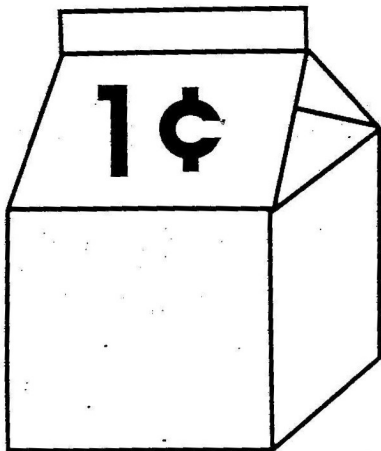
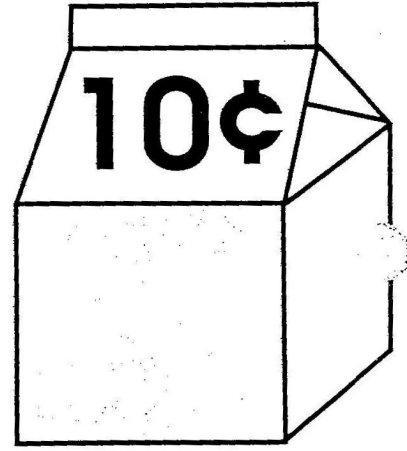
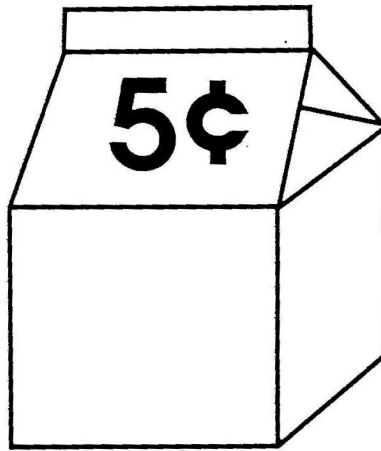
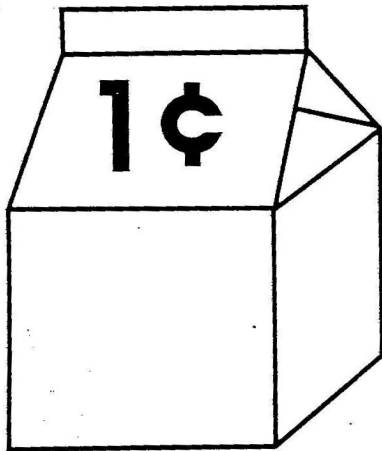
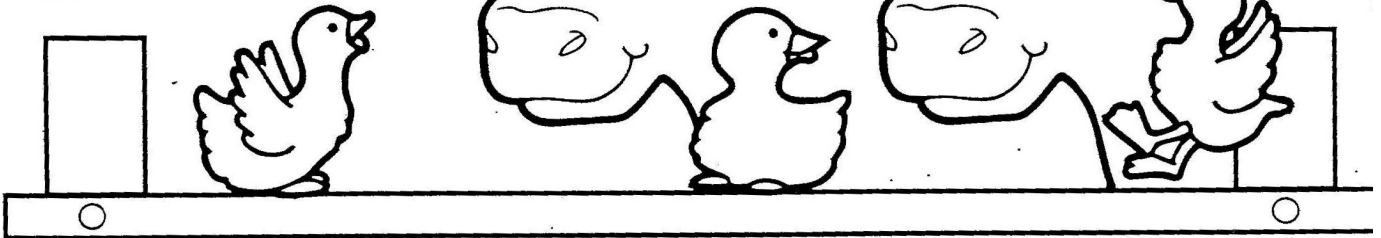
Milk Money



Match.



Paste.



©The Education Center, Inc. • Teacher's Helper® • TEC8665 • April/May/June 1997

